

## Specification of interactive flat panel



Product Categories: Interactive flat panel

Product Model: 75M3A

Date: 2021.4

## 1. Product characteristics

### 1.1 System properties:

- Equipped with Android 8.0 Smart OS and a unique user interface design; 3GB internal cache + 32GB internal storage, for faster operating speeds;

### 1.2 Exterior and smart touch:

- The exterior features four minimalist arc-shaped edges; the WIFI and Bluetooth antennas adopt a forward, hidden design;
- Front-dis-assembly, high-precision, infrared touch frame with touch precision of  $\pm 1$ mm and touch height of 2.0mm, highly sensitive, supports 20 touch points;
- Equipped with an OPS interface and a scalable dual system; a dual USB interface with dual system compatibility; a dual network interface for device switching;

### 1.3 Whiteboard writing:

- High performance writing software that supports single and multi-point writing with improved writing effects with the pen, so that users can annotate on any interface and any channel;
- Adopt AG anti-glare tempered glass, Mohs hardness level 7, better writing experience;

### 1.4 Conference & Training:

- Built-in dual 2.4G/5.8G frequency, dual network cards, supports simultaneous use of the wireless network connection and WiFi hotspot;
- Bluetooth function to connect wirelessly with and transfer data to phones, speakers, and other Bluetooth-enabled devices; supports wireless connection with printers for printing documents;
- Wireless screen-casting, supports casting to multiple screens, features reverse mirror control, remote snapshots, file sharing, wireless speaking, wireless control, etc;
- Built-in WPS, conference timer, welcome remarks, scoring and voting systems, and other high-efficiency conferencing software;

### 1.5 Commercial Display:

- High-definition image processing engine: image motion compensation, color enhancement processing, point-to-point precision display technology;
- Full-channel output function: output real-time images with high-definition, stable and low-latency to the expansion device;
- Customized boot screens; the local media player supports automatic classification to meet the needs of a variety of occasions;

## 2. Main Specification Parameters

### 2.1 Specification overview:

Display	
Certification	75M3A
Size	74.52"
Backlight type	D-LED
Resolution	3840*2160 (UHD) (RGB)
Brightness	450cd/m <sup>2</sup>
Contrast ratio	1200:1
Response time	8ms
Pixel pitch	0.429mm*0.429mm
Refreshing frequency	60Hz
Viewing angle	178°(H) / 178°(V)
Color gamut(x% NTSC)	65%
View area	1649.66mm*927.94mm
Display colors	1.07B(8bit+FRC)
Life time	30,000 hrs
System	
Solution	MSD6A848
Operation system	Android 8.0
CPU Architecture	ARM A73+A53
CPU Working Frequency	1.5GHz
CPU Core	Quad Core
GPU	Mali-G51
RAM	3GB DDR4
ROM	32GB Standard
Power	
Voltage	100 V ~ 240 V/AC, 50/60 Hz
Power consumption without OPS	400W

OPS Power	18V(DC)/5A
Power consumption in standby mode	<0.5W
Power (AC) input	*1
Function	
Audio Output Power	15W * 2
WIFI	Support
Bluetooth	Support
Interface	
HDMI In	*2
DP In	*1
VGA In	*1
OPS (Optional)	*1
LAN	*2
Android USB	*2
Public USB	*2
Touch-USB	*1
PC-Audio In	*1
HDMI Out	*1
S/PDIF Out	*1
Audio OUT	*1
RS232 In	*1
Environment	
Working Temperature	0°C ~ 40°C
Storage Temperature	-10°C ~ 60°C
Working Humidity	20% ~ 80%
Storage Humidity	10% ~ 80%
Image Model	Standard、Computer、Gorgeous、Bright、Soft、Nature、Exercise、Game、Automatic、Users
The longest service time(Hour*Day)	18Hours*7days
Structure	

Net Weight	58Kg±1.5Kg
Gross Weight	78.2Kg±1.5Kg(Heavy Carton)
Product Size (W*D*H)	1741.7mm*103.4mm*1020.2mm
Package Size (W*D*H)	1880mm*280mm*1160mm(Heavy Carton)
VESA	4-M8 Screw Hole 600mm*400mm
Housing Material (Surface Frame /Back Cover)	Aluminum/Sheet Metal
Housing Color (Surface Frame /Back Cover)	Gray(White)/Black
Accessories	
Pen	*2
Remote Control	*1
Expansion Screw	*8
User Manual	*1
Certificate of quality/Warranty card	*1
HDMI Cable	*1
Touch Cable	*1
Power Cord	*1
USB Extension Cable	*1

## 2.2 The Interface Distribution:

- The right side of the back: HDMI-OUT\SPDIF\Touch-USB\USB2.0 \USB2.0 \DP\HDMI2\HDMI1;
- The right lower side of the back :LAN1\LAN2\RS232\Audio OUT\ PC-Audio\VGA;

## 3. Touch Frame Specifications

### 3.1 Product Overview:

- High precision of infrared touch frame, resolution by interpolation algorithm can be as high as 32768 x32768;
- Support Plug and Play;
- Support 20 Points Infrared Touch;

### 3.2 Main specification parameters:

Touch System	Sensing Type	Infrared Touch Frame
	Surface protection	4mm AG Toughened glass
	Response Time	<10ms
	Touch Accuracy	More than 90% of the touch area of plus or minus 1mm
	Minimum Touch Diameter	≥1.6mm(Single-point); ≥3mm(Multipoint)
	Input Mode	Finger or Pen
	Output Form	HID Standard
	Theory Clicks	Unlimited

### 3.3 Electrical Specification:

Interface Type	USB2.0 at full speed
Working Voltage	DC+5V±5%
Power Consumption	≤2W

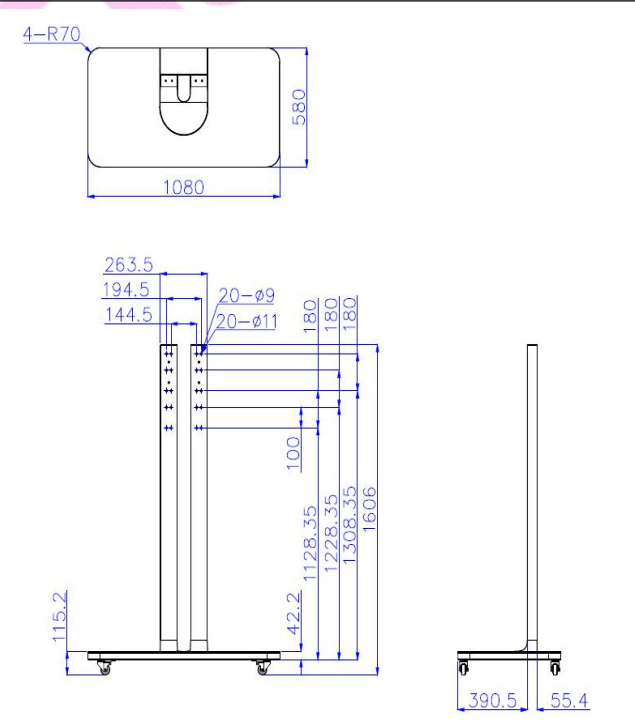
### 3.4 Operating system and software:

Multi-touch supported operating system	Multi-touch: Windows 7/8/10、Android Linux Single-touch: Windows XP、Mac OS X、Chrome
--	---

## Product Model: Mobile Base for Flat-panel Display HK70



### Specifications:

Hole distance: 194.5×180mm	
Size of display/TV to be mounted: 55"-75"	
Max. Load bearing: 100KG	
Product Size: 1080*1606*580mm	
Package Size: 1603*750*160mm	
Net Weight: 48Kg±0.5Kg	
Gross Weight: 52Kg±0.5Kg	
Color: Black & Silver	
Material: High quality carbon steel & Tempered glass	
The castors are 2" with foot brake	

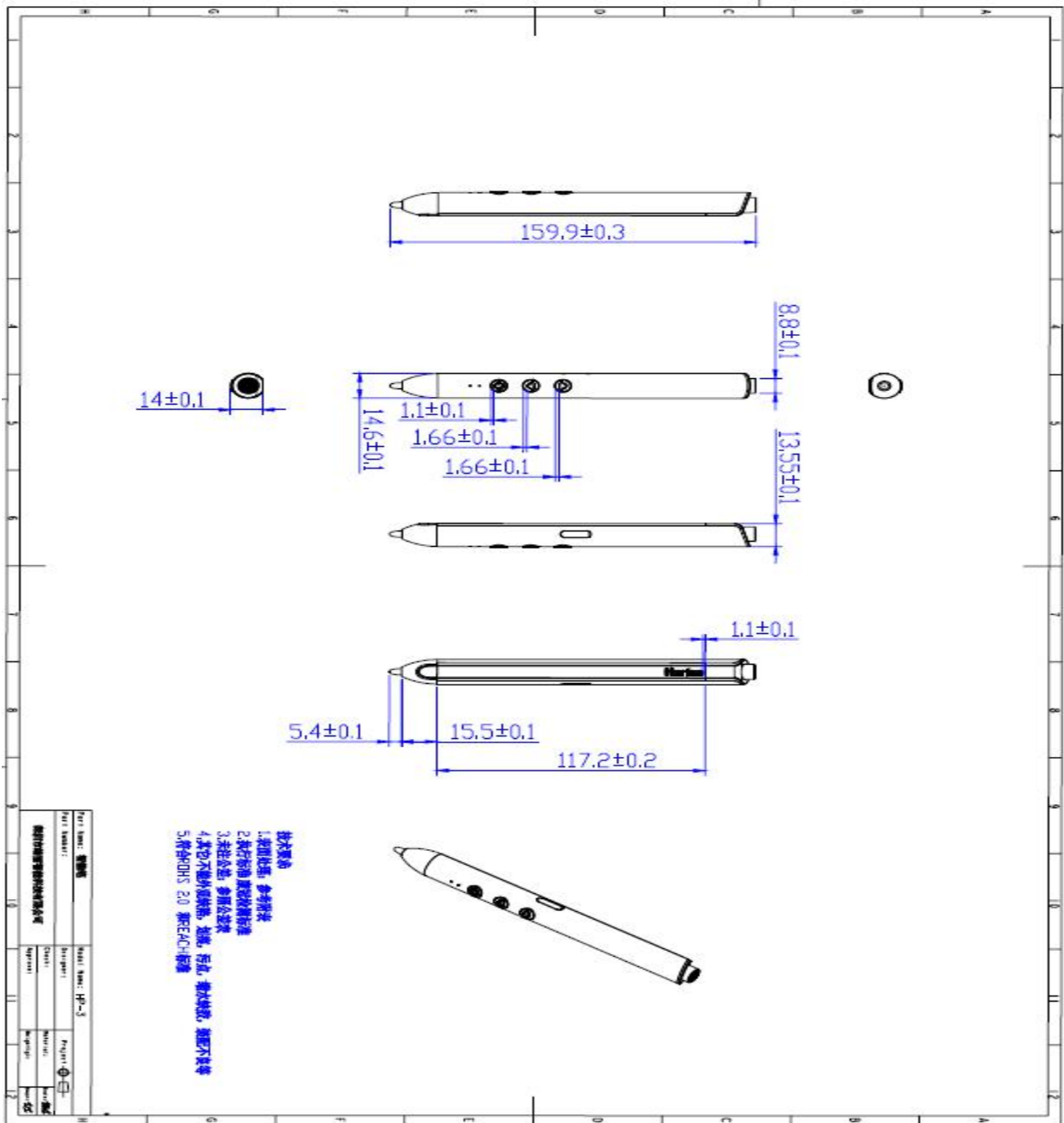
## Product Model: Smart Pen HP-3

## 1.Product Picture:





## 2.Six views of produ



## 3.Product function diagram



Number	Work interface	Function description	
1	LED Indicator light	Color: Blue ① Working indication: press the key, LED light will be on, release it and off ② Low voltage indication: when battery power is low (< 3.2V), LED light flashes at high speed ③ Charging indicator: the light is always on when charging; the light is off when fully charged. ④ No communication connection: light flashes slowly for about 40 seconds to enter sleep	
2	Cap of pen	Under android system: Click (One-click annotation) long press for 1.5s: spotlight, long press again to close Under Windows system: Long press for 1.5s: highlight / magnifying glass / digital light point / pointer mode switch back and forth	
3	Flying mouse key	Click (left mouse button), long press (flying mouse on, release flying mouse off)	
4	Up page key	Short press (one page up); long press for 1.5 seconds (full screen / exit switch back and forth)	↑Up arrow key
5	Down page key	Short press (one page down); long press (turn on voice), release to turn off it	↓Down arrow key
6	Voice	Long press the page turning key to turn on the voice, and release to turn off	2.4G Model
7	NFC	Pen tail near NFC sensing area of Conference Board (exhaling whiteboard)	
Electrical properties			
8	Working voltage	3.7v/working current ≤ 21mA standby current ≤ 50uA	
9	Communication requirements	RF2.4GHZ, Remote control distance is 15m maximum in open environment; Bluetooth is 10m	
10	Receiver	Support USB3.0 / 2.0 / 1.1 interface	
11	Power management	Lithium battery Low power detection and prompt When Vbat ≤ 3.2V, the remote control is in low power state.	

#### 4. Connection mode:

Bluetooth and 2.4G mode switching

Press down key and pen cap key at the same time, the light flashes, indicating that the switching function is selected:

If you release the cap key, the light will go out. When it comes on later, you will enter the 2.4G mode;

If you don't release the pen cap key, just release the "down key", the light will go out, and then when it's on, you will enter the Bluetooth mode;

#### 5. Connection mode:

##### (1) Code matching (Only 2.4G)

Boot up code	Press the "up" and "down" keys at the same time, the light will flash quickly, indicating that the code matching function is selected; release the key to start the code matching, the light will flash at a high speed; then insert the receiver into the host; That is, first let the page flipper enter the code matching mode, and then insert the receiver into the host;
Code success	Code matching is successful. The blue light of the page flipper flashes at high speed and then goes out.
Code failure	The blue light continues to flash, and the code checking mode will exit automatically after a timeout of about 30 seconds

\*When the receiver is just powered on, it has 2-3s code time;

\*One to one pairing, the factory flip pen and dongle are matched by default.

\*When the remote control is in sleep mode, press any key to wake up

##### (2) Bluetooth connection:

Turn the smart pen to Bluetooth mode, open the Bluetooth interface of the conference tablet, search for the device name "Horion · airpen + factory number",

Click Connect to show that the pairing is successful after the connection.

#### 6. Use scenario

5.1 product use: intelligent touch integrated TV

5.2 system requirements: Windows 10 / 7 / XP, Android 4.0 or later

5.3 compatible interface: usb1.1/usb2.0/usb3.0/support external USB extension cable or USB hub